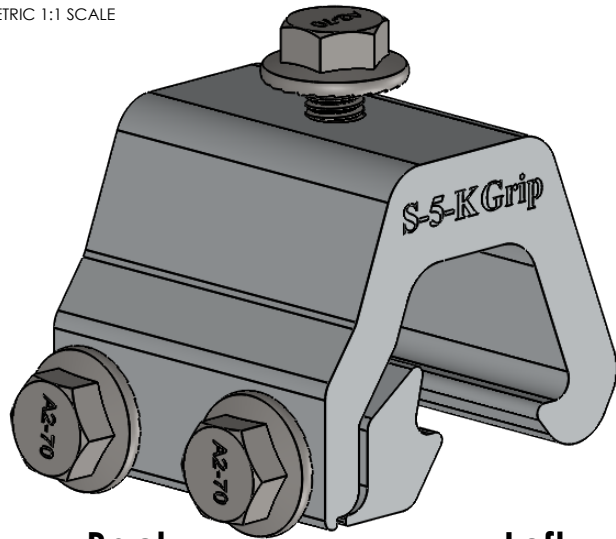


S-5-K Grip

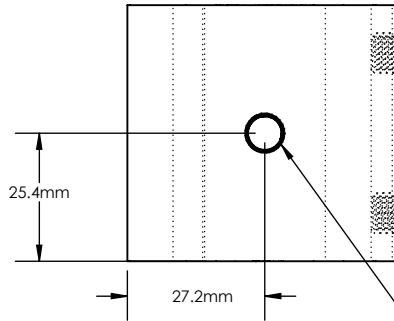
ISOMETRIC 1:1 SCALE



Back

Left

Top

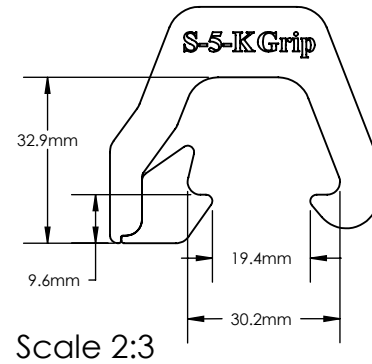


(3x) M8-1.25 THREADED HOLE

Front

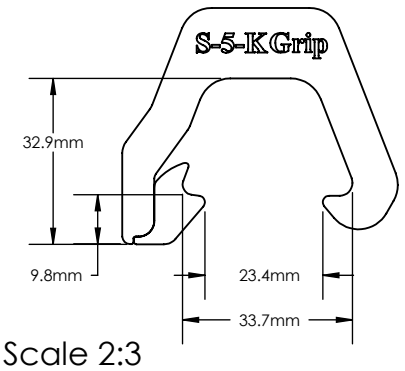
Right

S-5-K Grip with GX 10 Insert

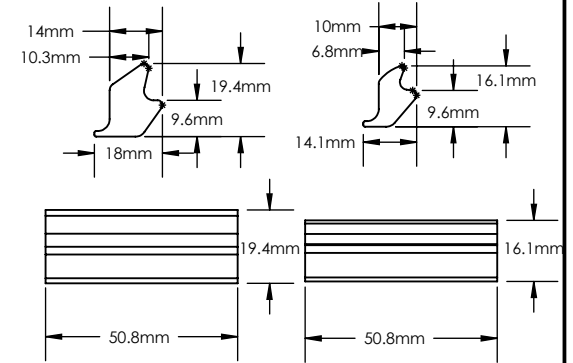
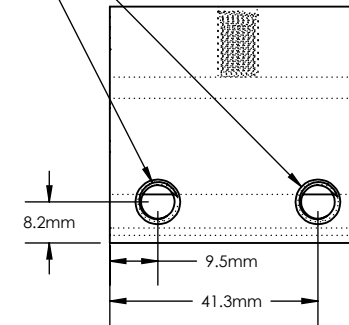
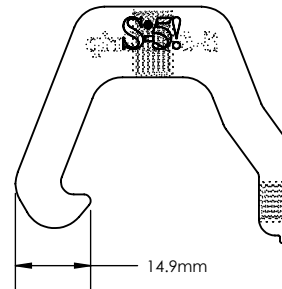
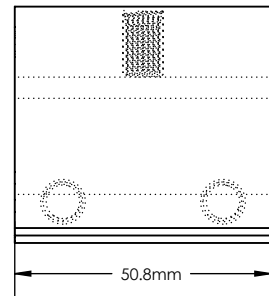
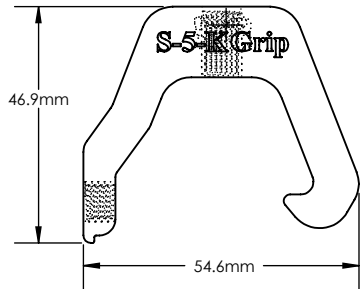


Scale 2:3

S-5-K Grip with GX 50 Insert



Scale 2:3



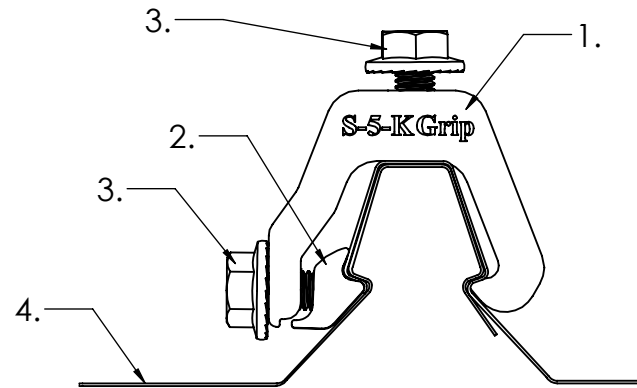
Fits with **S-5-GX 10** insert:
 LYSAGHT KLIP-LOK® 406
 McElroy Metal Mirage
 AEP Span Klip-Rib®
 Metal Sales Clip-Loc
 SpeedDeck® SpeedDeck®
 Safintra Saflok 410
 Safintra Saflok 700
 Domico Dach®
 And other similar profiles

INSERTS ARE 1:2 SCALE

Fits with **S-5-GX 50** insert:
 LYSAGHT KLIP-LOK Classic® 700
 LYSAGHT KLIP-LOK 700 Hi-Strength®
 Stramit® Speed Deck Ultra®
 Fielders KingKlip® 700
 And other similar profiles

General Notes:

1. S-5-K Grip Clamp
2. S-5-K Grip Insert
3. M8-1.25 Stainless Steel Hex Flange Bolt (13mm Socket)
4. Example Roof



FOR STANDING SEAM SPECIFIC MECHANICAL LOAD TEST INFORMATION AND CLAMP INSTALLATION INFORMATION PLEASE VISIT: WWW.S-5.COM

MATERIAL:	6061 T6 Al
EST ASSEMBLY WEIGHT:	With GX 10: 213.87 g With GX 50: 202.99 g
SUPPLIED HARDWARE:	(3x) M8-1.25 x 16 mm Bolt
SCALE:	2:3
EST. WEIGHT:	Clamp: 141.07 g Bolt: 15.65 g GX 10 Insert: 25.85 g GX 50 Insert: 14.97 g

		METAL ROOF INNOVATIONS, LTD. 8655 TABLE BUTTE RD COLORADO SPRINGS, CO 80908 719-495-0518 719-495-0045(FAX)	
		TITLE S-5-K Grip	
DRAWING NO.	KG47-A-8-C	DRAWN BY	Paul Leitch
DATE	5/22/2017		
S-5!® PRODUCTS ARE PROTECTED BY MULTIPLE U.S. AND FOREIGN PATENTS. VISIT OUR WEBSITE AT WWW.S-5.COM FOR COMPLETE INFORMATION ON PATENTS AND TRADEMARKS.			