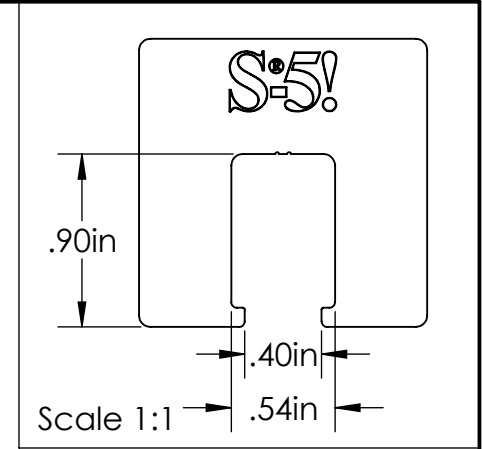
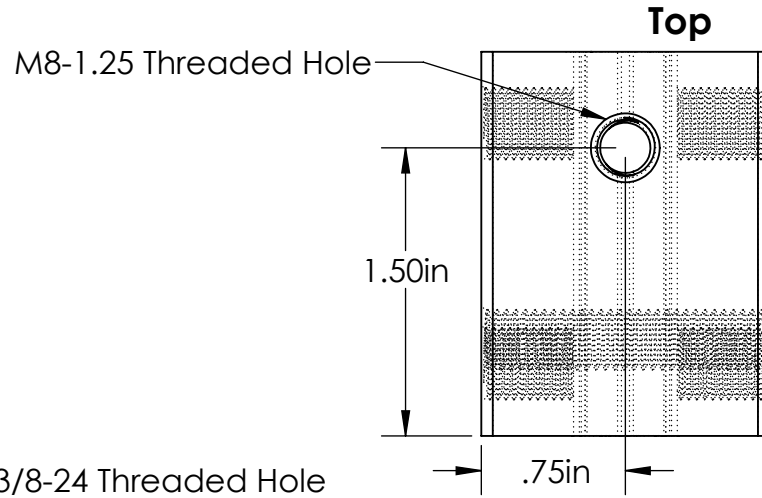
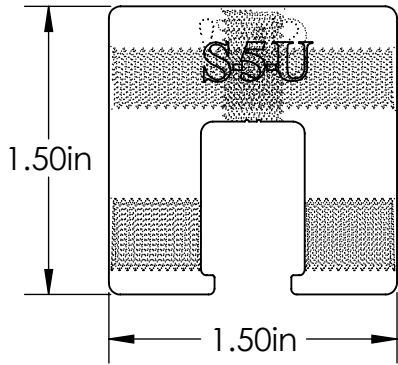


**S-5-U**

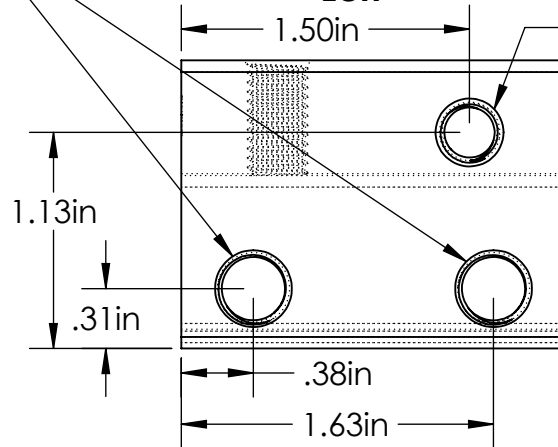


**Back**

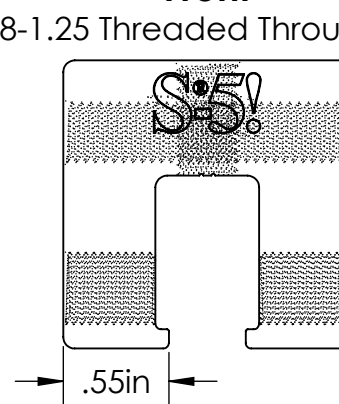


(2x) 3/8-24 Threaded Hole

**Left**

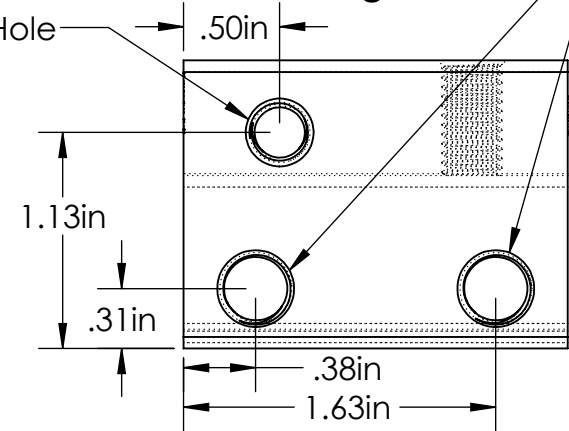


**Front**



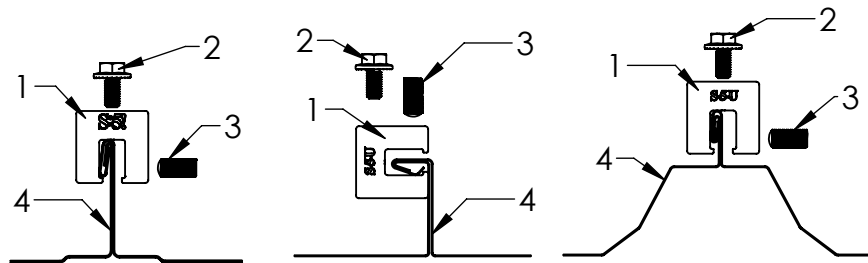
(2x) 3/8-24 Threaded Hole

**Right**




General Notes:

1. S-5-U Clamp
2. M8-1.25 SS Hex Flange Bolt (13mm Socket)
3. 3/8-24 SS Round Point Setscrew (3/16 Hex Drive)
4. Example roof



**FOR STANDING SEAM SPECIFIC MECHANICAL LOAD TEST INFORMATION AND CLAMP INSTALLATION INFORMATION PLEASE VISIT: [WWW.S-5.COM](http://WWW.S-5.COM)**

MATERIAL: 6061 T6 Al			METAL ROOF INNOVATIONS, LTD. 8655 TABLE BUTTE RD COLORADO SPRINGS, CO 80908 719-495-0518 719-495-0045(FAX)	
EST ASSEMBLY WEIGHT: 0.373 lbs			TITLE S-5-U	DRAWING NO. U11-B-16-D
SUPPLIED HARDWARE: M8-1.25 x 16 mm HEX Bolt (2x) 3/8-24 x .800" Setscrews	<p style="text-align: center;">S-5!® PRODUCTS ARE PROTECTED BY MULTIPLE U.S. AND FOREIGN PATENTS. VISIT OUR WEBSITE AT <a href="http://WWW.S-5.COM">WWW.S-5.COM</a> FOR COMPLETE INFORMATION ON PATENTS AND TRADEMARKS.</p>			
SCALE: 1:1	EST. WEIGHT: Clamp: 0.304 lbs Setscrew: 0.0170 lbs Bolt: 0.0345 lbs			